

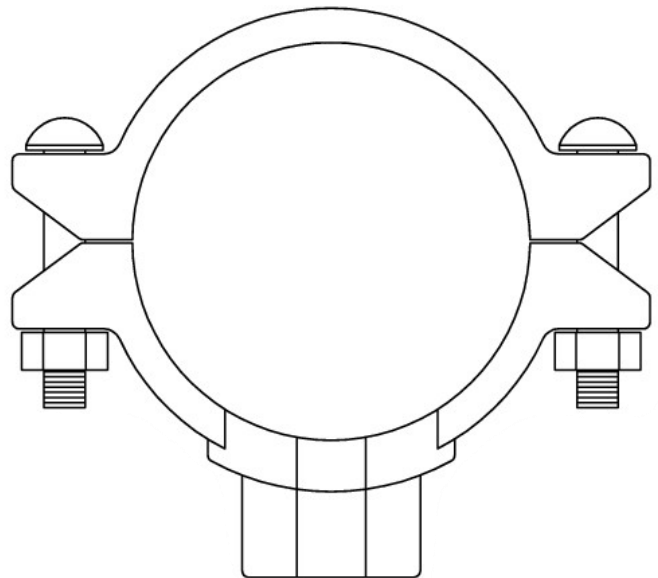
PRODUCT CODE	SIZE	BSP (F)
MT5025	50mm	25mm
MT5032	50mm	32mm
MT6525	65mm	25mm
MT6532	65mm	32mm
MT6540	65mm	40mm
MT8025	80mm	25mm
MT8032	80mm	32mm
MT8040	80mm	40mm
MT8050	80mm	50mm
MT10025	100mm	25mm
MT10032	100mm	32mm
MT10040	100mm	40mm
MT10050	100mm	50mm
MT10065	100mm	65mm
MT10080	100mm	80mm
MT15025	150mm	25mm
MT15032	150mm	32mm
MT15040	150mm	40mm
MT15050	150mm	50mm
MT15065	150mm	65mm
MT15080	150mm	80mm
MT150100	150mm	100mm

**WORKING PRESURE**  
 2068 kPa

**APPROVALS**  
 UL/FM Listed

**MATERIAL**  
 Ductile Iron

**FINISH**  
 Galvanised



\*Sizes may vary due to supply of product, contact office to confirm\*