

CABINET

HYDRANT DUAL ON LEGS DOUBLE DOOR

PRODUCT CODE: CEHY900



Quality
ISO 9001

OPTIONS AVAILABLE

Break glass & lock
Locking 003 'T' Handle
Custom Paint & Stencilling

PAINT COLOUR

Signal red R13

MATERIAL

Body: 20# Zinc seal
Handle: Chrome plated metal

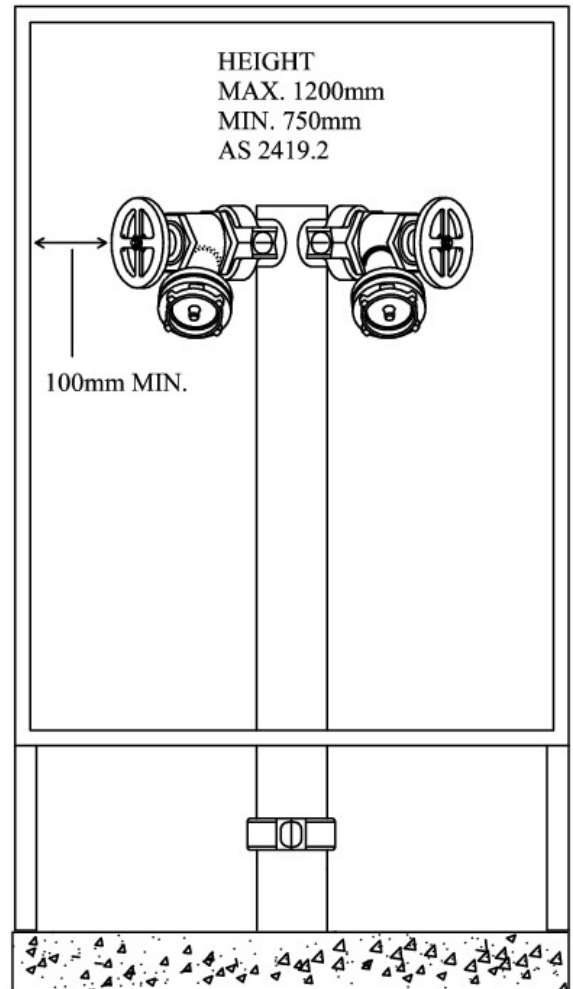
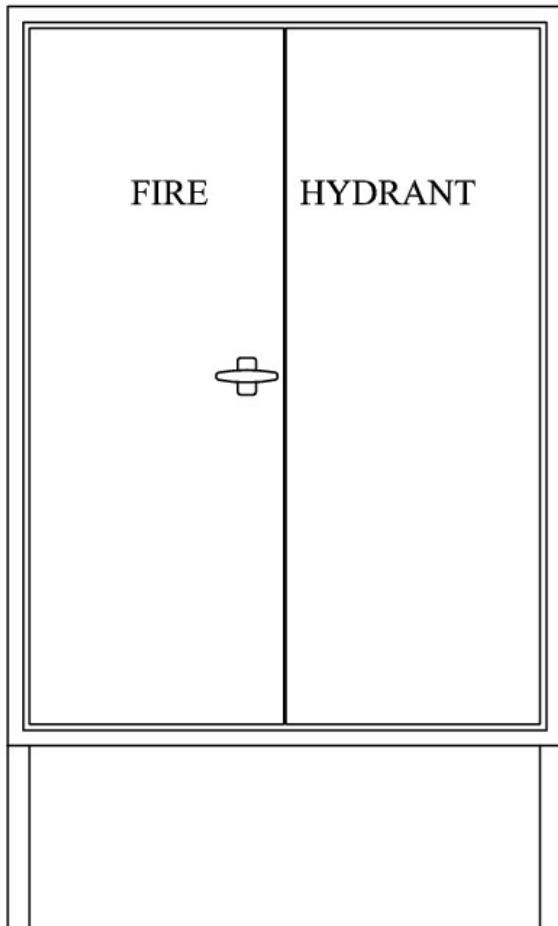
INSTALLATION

Bolt through feet to ground or through back to wall

DIMENSIONS

Width: 900mm
Height: 1500mm (inc.300mm legs)
Depth: 400mm

Sizes may vary due to supply of product, contact office to confirm



Cabinet only - Equipment sold separately