

CABINET

BOOSTER ON LEGS 100mm DUAL

PRODUCT CODE: CBBV100



Quality
ISO 9001

OPTIONS AVAILABLE

- Break glass & lock
- Locking 003 'T' Handle
- Custom Colouring & Stencilling

PAINT COLOUR

Signal red R13

INSTALLATION

Bolt through feet to ground or through back to wall

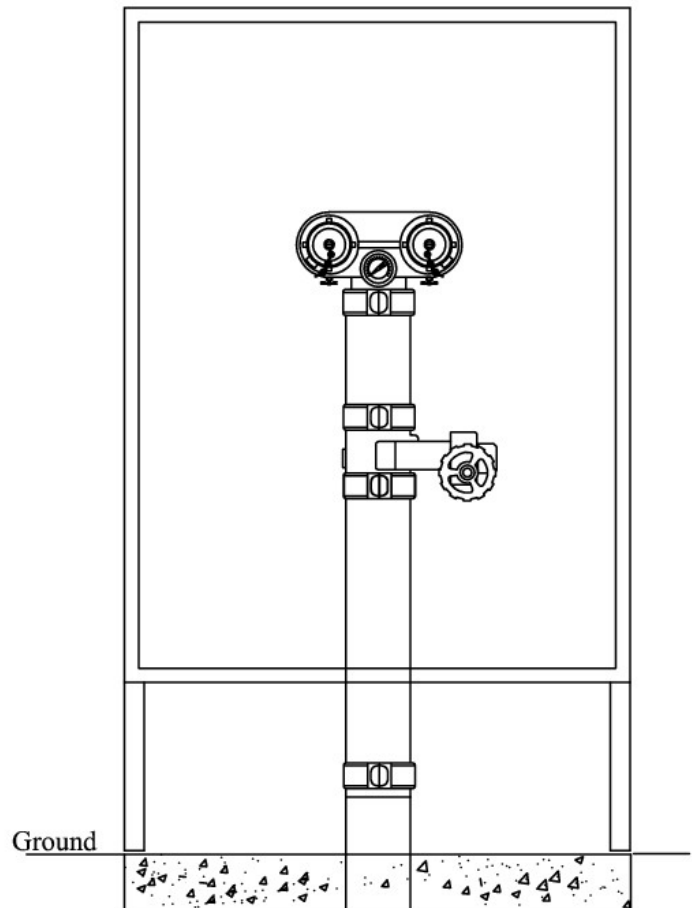
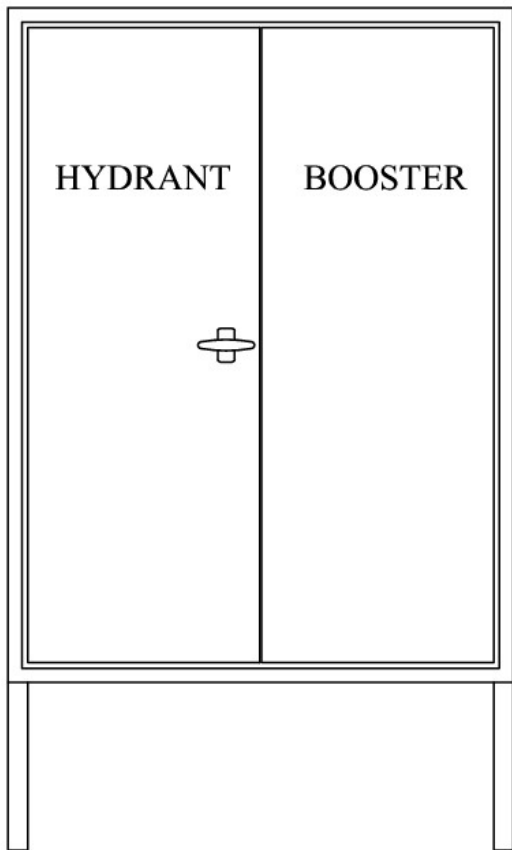
MATERIAL

- Body: 20# Zinc seal
- Handle: Chrome plated metal

DIMENSIONS

- Width: 900mm
- Height: 1500mm (inc.300mm legs)
- Depth: 400mm

Sizes may vary due to supply of product, contact office to confirm



Cabinet only - Equipment sold separately