



**INSTALLATION**

Bolt through back to wall  
Base of cabinet to floor level - 760mm minimum  
to allow 1400mm c/c. of hose reel

**DIMENSIONS**

Width: 850mm  
Height: 1065mm  
Depth: 310mm

**PAINT COLOUR**

Crimson Red R15

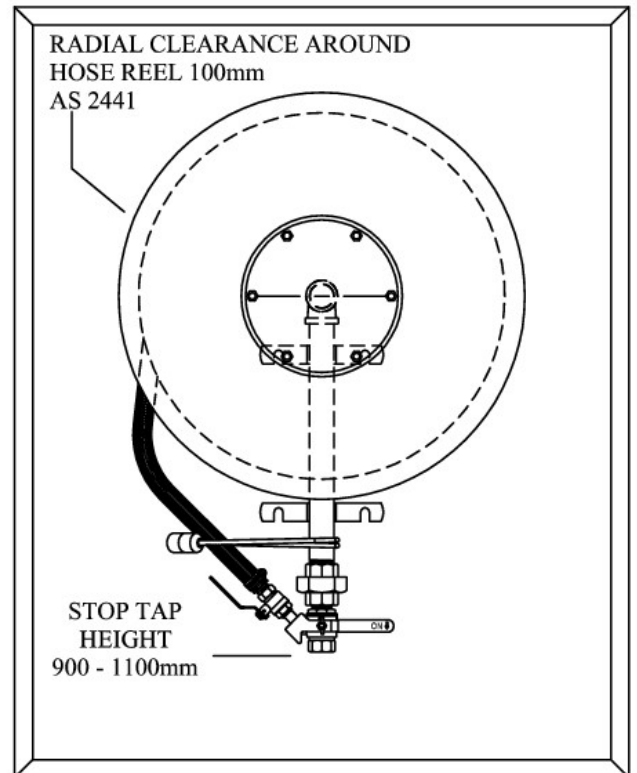
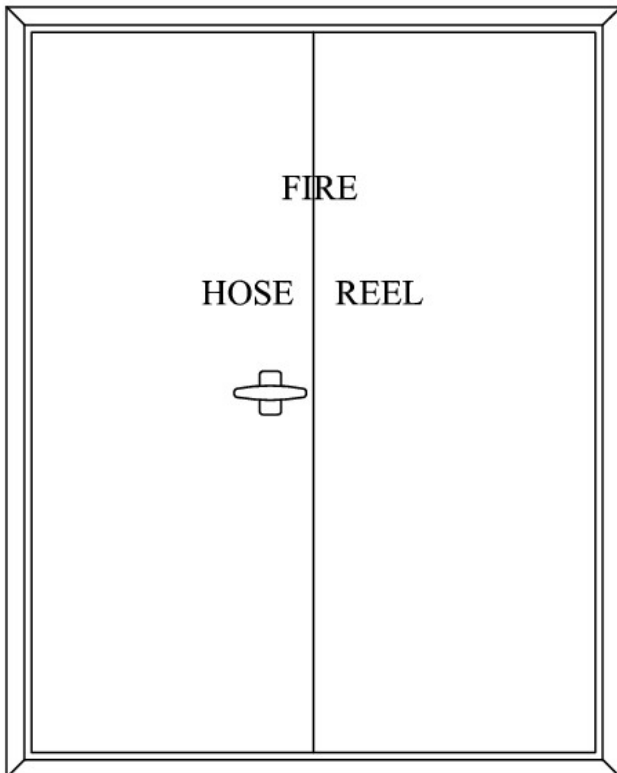
**MATERIAL**

Body: 20# Zinc seal  
Handle: Chrome plated metal

**OPTIONS AVAILABLE**

Handle Types (i.e. T, L, Flush, Coin etc)  
003 Locking options available for all handles  
Loose or fixed architrave  
Single Door - Left Hand Hinge

\*Sizes may vary due to supply of product, contact office to confirm\*



\*Cabinet only - Equipment sold separately\*