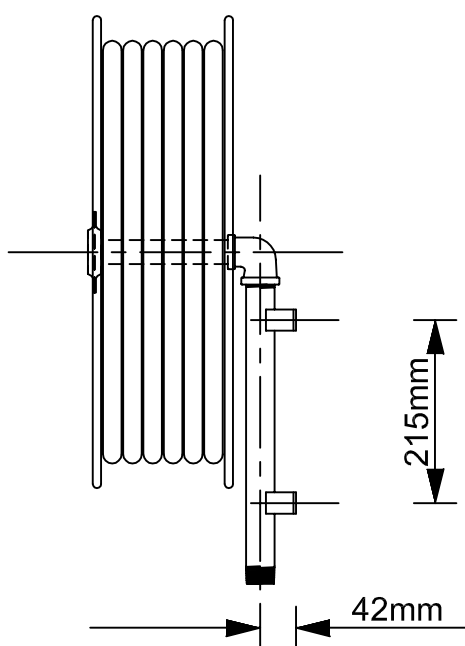
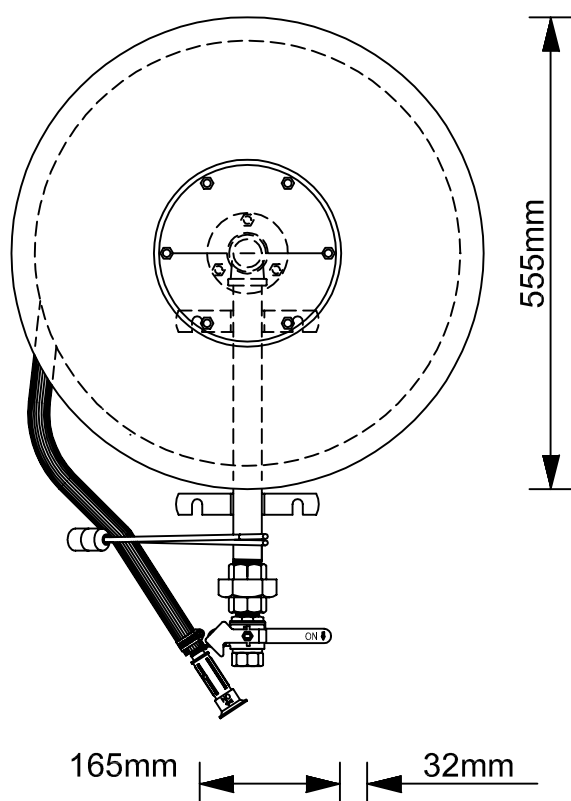


FIRE HOSE REEL

Stainless Steel: Heavy Duty c/w Bearing



PRODUCT CODE

FHRSSHD3619

DIMENSIONS

Diameter : 555mm

Depth : 239mm

MATERIAL

Side Plates: #316 Stainless Steel

Spacer Pins: #316 Stainless Steel

Fire Reel Hose: P.V.C. 19mm Internal Diameter

Standard Hose Length: 36metres

Nozzle: Jet/Spray Plastic

Guide Arm: Swivel. #316 Stainless Steel

Bracket: Easi-Fit. Galvanised

Inlet Pipe: Galvanised

Barrell Union: F&F. Stainless Steel

Spindle: DR Brass

Waterway: DR Brass

Isolation Valve: DR Brass. 25mm (M & F) #304

Stainless Steel Interlock & Handle

Bearing: VB205-16 Stainless Steel and Housing

INSTALLATION

Drum Centre: 1400 - 2400mm

Isolation Valve Centre: 900 - 1100mm

RECOMMENDATION

Mounting the Isolation Valve at a height of 1060mm will achieve the Hose Reel centre height of 1500mm

If the minimum Isolation Valve height of 900mm is required, the length of the backpipe will need to be extended on site

Radial clearance of not less than 100mm must be maintained around the Hose Reel Plates and Isolating Valve

OPTIONS

Side Plates : Signal Red