

BOOSTER HEAD: 100mm DUAL

**BOTTOM ENTRY
ROLL GROOVE**

PRODUCT CODE

BDSRG100BE - STORZ
BDCRG100BE - CFA
BD5RG100BE - 5VT

MATERIAL

BODY: Ductile Iron
COATING: Fusion Bonded Epoxy

INSTALLATION

HEIGHT: 750 - 1200mm
to centre of inlets
CLEARANCE: 225mm (min.)
from centre of inlets

BRIGADE CONNECTIONS

All Australian Fire
Authorities Available

APPROVALS

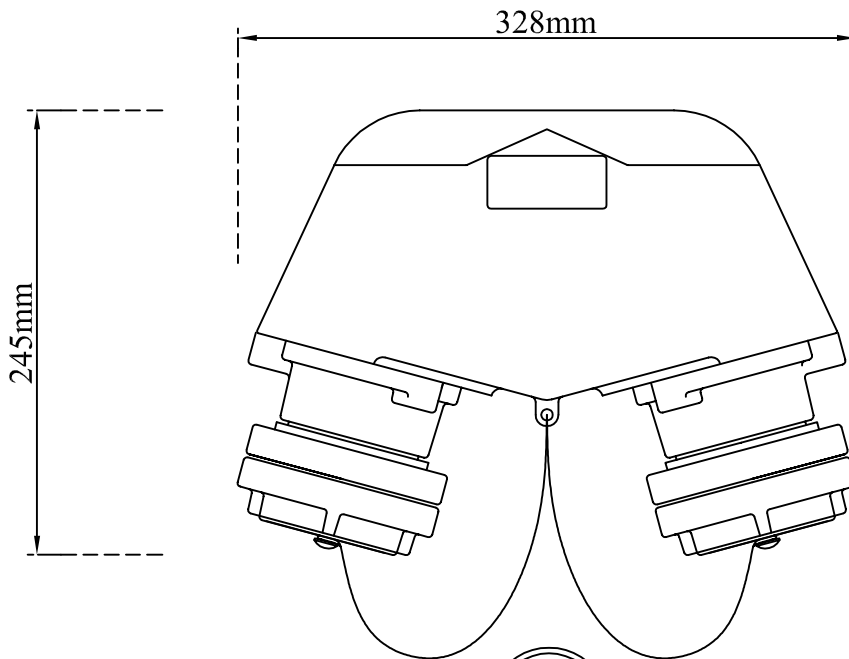
BOOSTER: AS 2419.3
DUCTILE IRON: AS 1831
COATING: AS/NZS 4158.1

PAINT COLOUR

Signal Red R13

OPTIONS

Flange Adaptor
Class 21



STORZ - 195H x 328W x 245D
CFA - 195H x 320W x 240D
5VT - 195H x 320W x 240D

STORZ
CONNECTION

