

# CABINET

## HYDRANT DUAL ON LEGS DOUBLE DOOR

PRODUCT CODE: #CEHY900



### OPTIONS AVAILABLE

Break glass & lock  
Locking 003 'T' Handle

### PAINT COLOUR

Signal red R13

### MATERIAL

20# Zinc seal

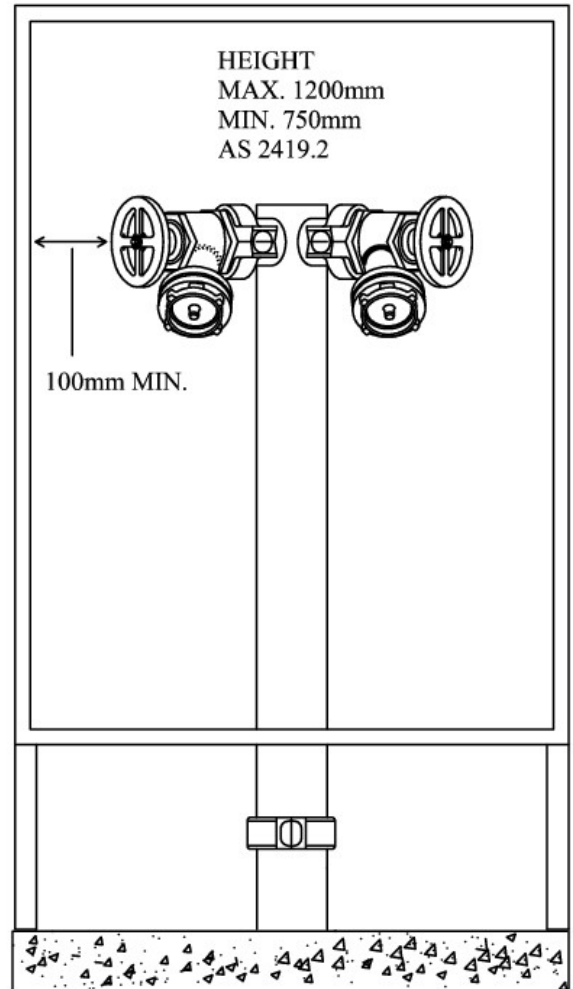
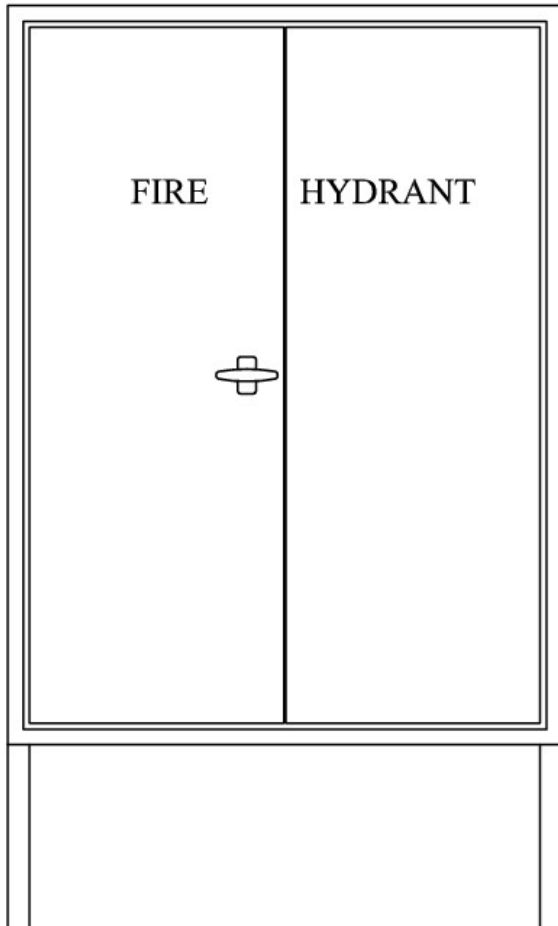
### INSTALLATION

Bolt through feet to ground or through back to wall

### DIMENSIONS

Width: 900mm  
Height: 1500mm (inc.300mm legs)  
Depth: 400mm

\*All measurements are a guide only - for accurate measurements please contact KlineFire\*



\*Cabinet only - Equipment sold separately\*