

CABINET

BOOSTER & FEED HYDRANT 150mm QUAD

PRODUCT CODE: #CBFH150



OPTIONS AVAILABLE

Break glass & lock
Locking 003 'T' Handle

PAINT COLOUR

Signal red R13

MATERIAL

20# Zinc seal

INSTALLATION

Bolt through feet to ground or through back to wall

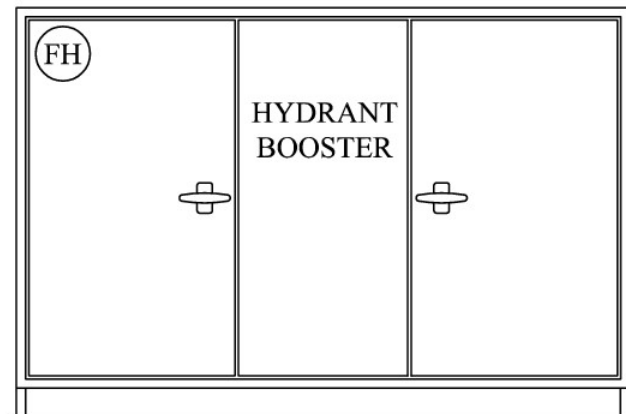
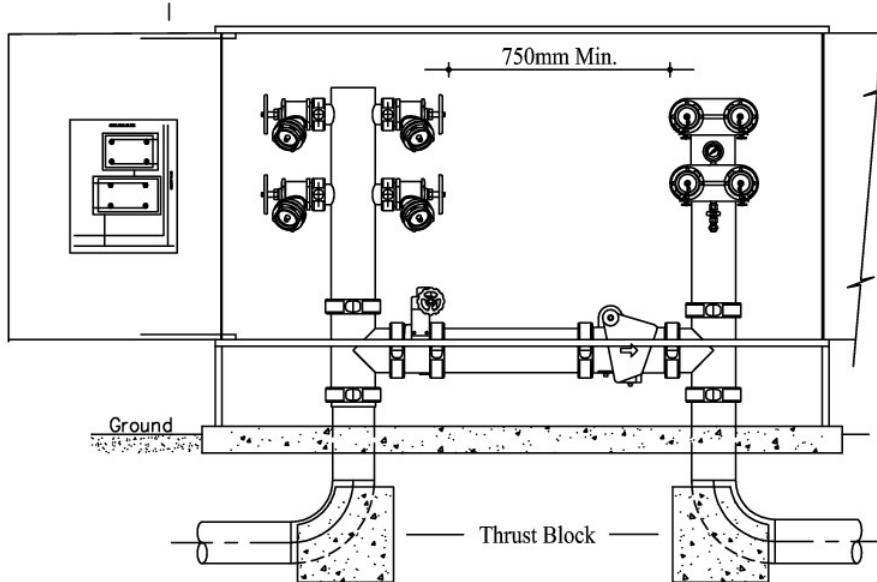
DIMENSIONS

Width: 2300mm
Height: 1500mm (inc.300mm legs)
Depth: 700mm

All measurements are a guide only - for accurate measurements please contact KlineFire

Bracket to stopdoor beyond 90°
Block plan supplied by Contractor

NOTE: Manufactured standard with 2 doors
& removable centre infill panel



Doors Closed

Cabinet only - Equipment sold separately