

# FIRE HOSE REEL

## SWING ARM BRACKET c/w HOSE & FITTINGS

PRODUCT CODE: #ASAHR



Australian Standard



Quality ISO 9001

### MATERIAL

5mm Mild steel plate

### INSTALLATION

Bolt through bracket to side of recess

### ASSEMBLY

1m x 25mm Rubber hose

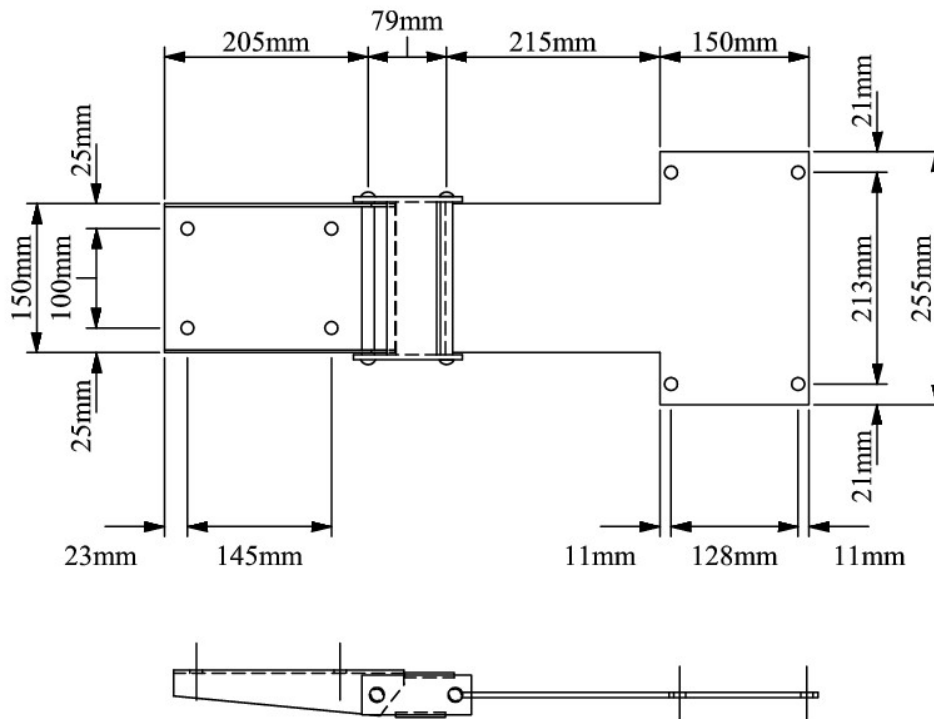
### OPTIONS AVAILABLE

Galvanized

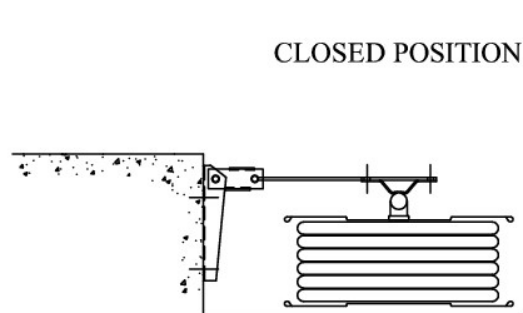
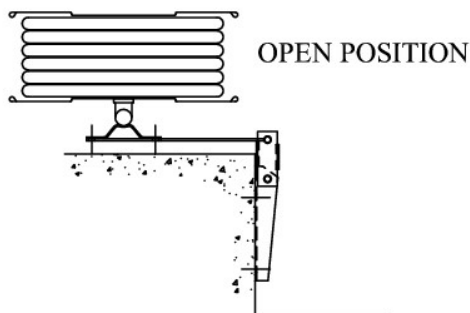
### PAINT COLOUR

Signal Red

\*All measurements are a guide only - for accurate measurements please contact KlineFire\*



PLAN VIEW



OPEN POSITION

CLOSED POSITION