

TEE MECHANICAL

MATERIAL

Ductile Iron

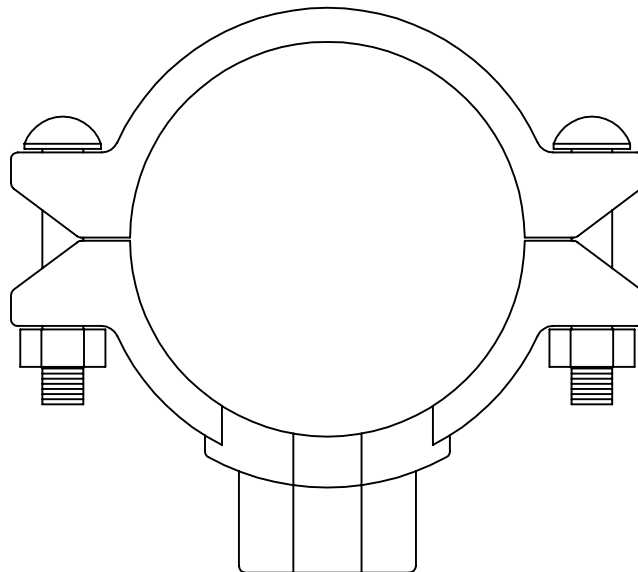
APPROVALS

UL/FM Listed

FINISH

Galvanised

| PRODUCT CODE | PIPE SIZE | OUTLET SIZE - BSP (F) | OPTION |
|--------------|-----------------------------------|-----------------------|--------------|
| MT5025 | 50mm | 25mm | R/G - Outlet |
| MT5032 | 50mm | 32mm | |
| MT6525 | 65mm | 25mm | |
| MT6532 | 65mm | 32mm | |
| MT6540 | 65mm | 40mm | |
| MT8025 | 80mm | 25mm | |
| MT8032 | 80mm </td <td>32mm</td> <td></td> | 32mm | |
| MT8040 | 80mm | 40mm | |
| MT8050 | 80mm | 50mm | |
| MT10025 | 100mm | 25mm | |
| MT10032 | 100mm | 32mm | |
| MT10040 | 100mm | 40mm | |
| MT10050 | 100mm | 50mm | |
| MT10065 | 100mm | 65mm | |
| MT10080 | 100mm | 80mm | |
| MT15025 | 150mm | 25mm | |
| MT15032 | 150mm | 32mm | |
| MT15040 | 150mm | 40mm | |
| MT15050 | 150mm | 50mm | |
| MT15065 | 150mm | 65mm | |
| MT15080 | 150mm | 80mm | |
| MT150100 | 150mm | 100mm | |



* SIZES MAY VARY DUE TO SUPPLY OF PRODUCT. CONTACT OFFICE TO CONFIRM