

# TEE: INLINE / REDUCING GROOVED

## Hydrant & Hose Reel 100 x 80 x 25mm BSP (F)

**PRODUCT CODE**

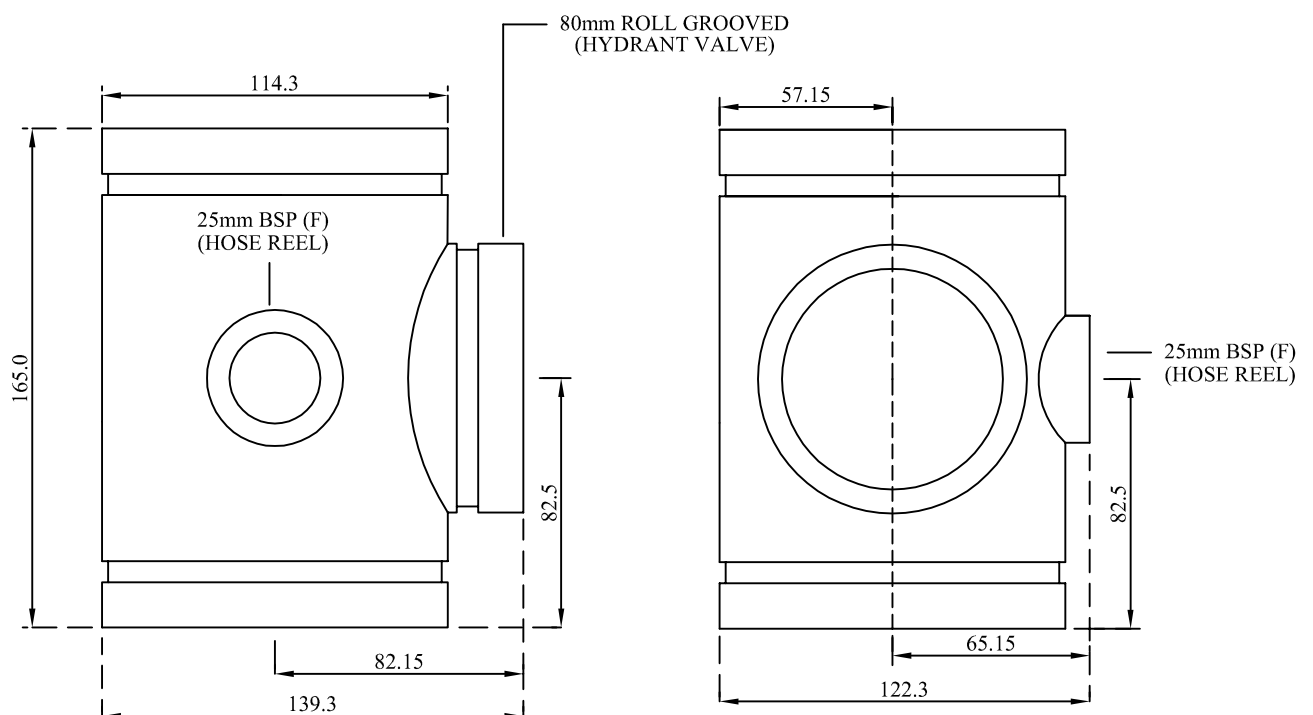
INT1008025

**MATERIAL**

Ductile Iron

**FINISH**

Galvanised



\* SIZES MAY VARY DUE TO SUPPLY OF PRODUCT. CONTACT OFFICE TO CONFIRM