

FIRE HOSE REEL

Heavy Duty c/w Bearing

PRODUCT CODE

HRP3619/HD

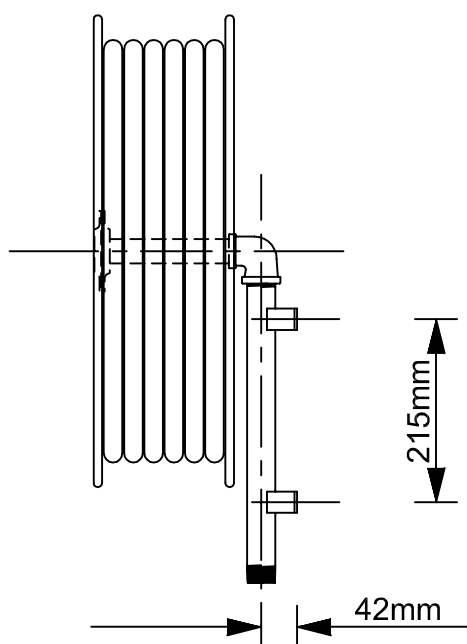
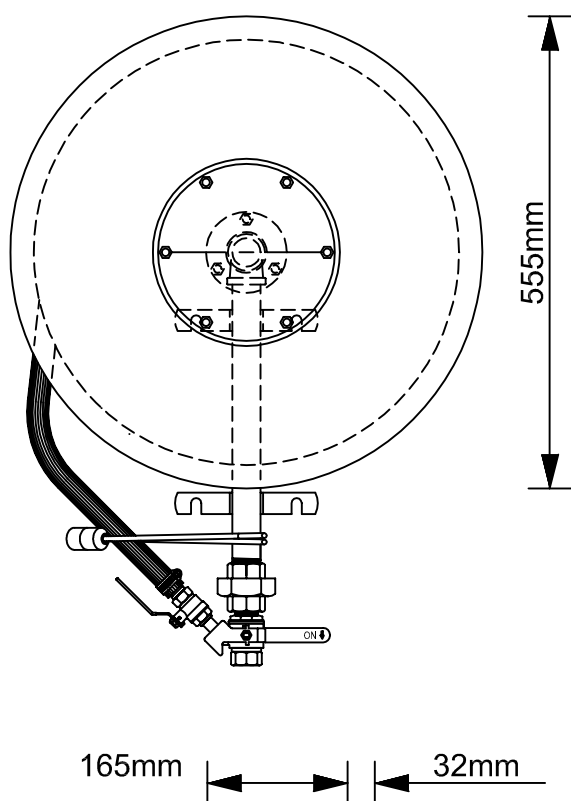
DIMENSIONS

Diameter : 555mm

Depth : 245mm

MATERIAL

Side Plates: CR-F Steel. Signal Red
Spacer Pins: Mild Steel. Zinc Plated
Fire Reel Hose: P.V.C. 19mm Internal Diameter
Hose Length: 36 metres
Nozzle: Jet Lever Action. DR Brass
Guide Arm: Swivel. Zinc Plated
Bracket: Easi-Fit. Galvanised
Inlet Pipe: Galvanised
Barrell Union: F&F. Galvanised
Spindle: DR Brass
Waterway: DR Brass
Isolation Valve: DR Brass. 25mm (M & F) #304
Stainless Steel Interlock & Handle
Bearing: VB205-16 Mild Steel and Housing



INSTALLATION

Drum Centre: 1400 - 2400mm

Isolation Valve Centre: 900 - 1100mm

RECOMMENDATION

Mounting the Isolation Valve at a height of 1060mm will achieve the Hose Reel centre height of 1500mm

If the minimum Isolation Valve height of 900mm is required, the length of the backpipe will need to be extended on site

Radial clearance of not less than 100mm must be maintained around the Hose Reel Plates and Isolating Valve

OPTIONS

Various Side Plate Colours