

FIRE HOSE REEL

LKS Stainless Steel

PRODUCT CODE

FHRSS3619

DIMENSIONS

Diameter : 555mm

Depth : 239mm

MATERIAL

Side Plates: #316 Stainless Steel

Spacer Pins: #316 Stainless Steel

Fire Reel Hose: P.V.C. 19mm Internal Diameter

Hose Length: 36 metres

Nozzle: Jet/Spray Plastic

Guide Arm: Swivel. #316 Stainless Steel

Bracket: Easi-Fit. Galvanised

Inlet Pipe: Galvanised

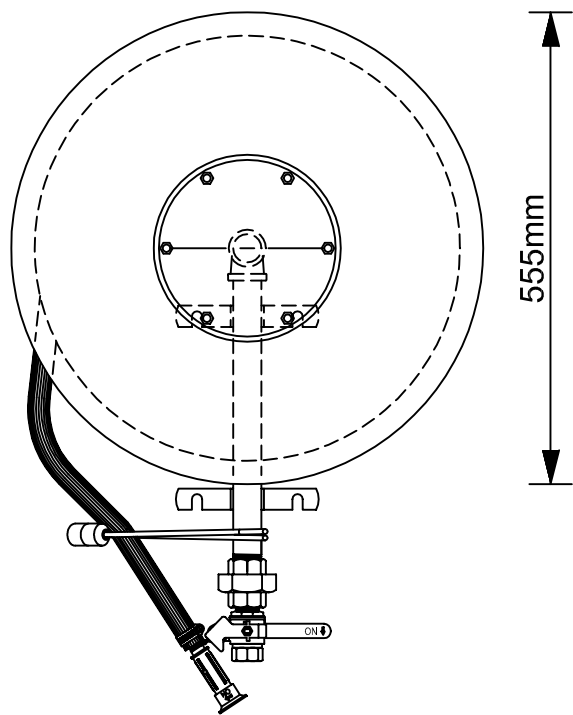
Barrell Union: F&F. #316 Stainless Steel

Spindle: DR Brass

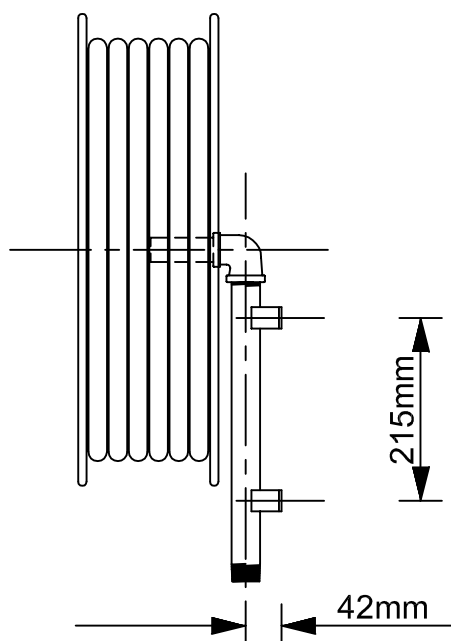
Waterway: DR Brass - Support Disc S/S.

Isolation Valve: DR Brass. 25mm (M & F) #304

Stainless Steel Interlock & Handle



165mm 32mm



INSTALLATION

Drum Centre: 1400 - 2400mm

Isolation Valve Centre: 900 - 1100mm

RECOMMENDATION

Mounting the Isolation Valve at a height of 1060mm will achieve the Hose Reel centre height of 1500mm

If the minimum Isolation Valve height of 900mm is required, the length of the backpipe will need to be extended on site

Radial clearance of not less than 100mm must be maintained around the Hose Reel Plates and Isolating Valve

OPTIONS

Side Plates : Signal Red