

FIRE HOSE REEL

LKS All Stainless Steel

PRODUCT CODE

FHRASS3619

DIMENSIONS

Diameter : 555mm

Depth : 239mm

MATERIAL

Side Plates: #316 Stainless Steel

Spacer Pins: #316 Stainless Steel

Fire Reel Hose: P.V.C. 19mm Internal Diameter

Hose Length: 36 metres

Nozzle: Jet/Lever Action #316 Stainless Steel

Guide Arm: Swivel. #316 Stainless Steel

Bracket: Easi-Fit. #316 Stainless Steel

Inlet Pipe: #316 Stainless Steel

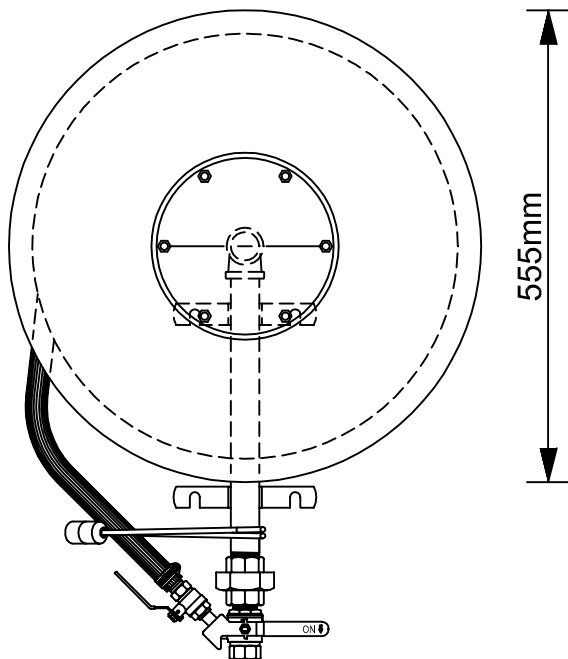
Barrell Union: F&F. #316 Stainless Steel

Spindle: #316 Stainless Steel

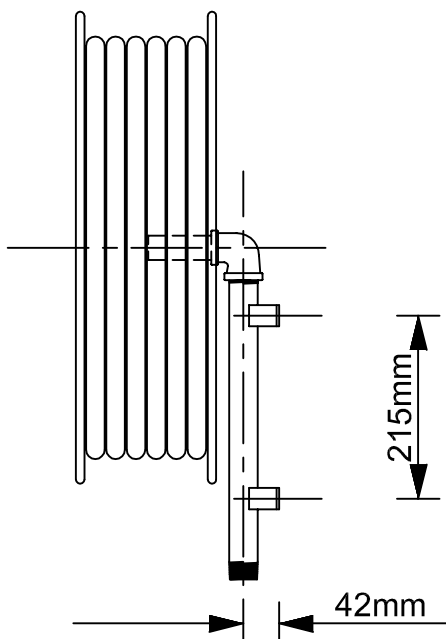
Waterway & Support Plate: #316 Stainless Steel

Isolation Valve: #316 Stainless Steel 25mm (M & F)

Nozzle Interlock & Handle



165mm 32mm



INSTALLATION

Drum Centre: 1400 - 2400mm

Isolation Valve Centre: 900 - 1100mm

RECOMMENDATION

Mounting the Isolation Valve at a height of 1060mm will achieve the Hose Reel centre height of 1500mm

If the minimum Isolation Valve height of 900mm is required, the length of the backpipe will need to be extended on site

Radial clearance of not less than 100mm must be maintained around the Hose Reel Plates and Isolating Valve

OPTIONS

Side Plates : Signal Red