

CABINET: HOSE REEL ON LEGS

DOUBLE DOOR

PRODUCT CODE

CHRL850

MATERIAL

20# Zinc seal

INSTALLATION

Bolt through feet to ground
or through back to wall

DIMENSIONS

WIDTH: 850mm

HEIGHT: 1960mm (inc.50mm legs)

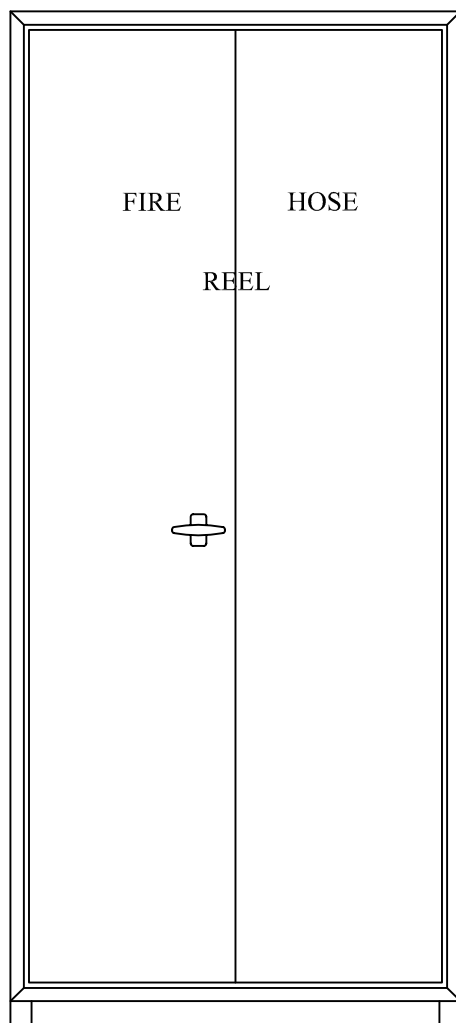
DEPTH: 310mm

OPTIONS AVAILABLE

Break glass & lock

PAINT COLOUR

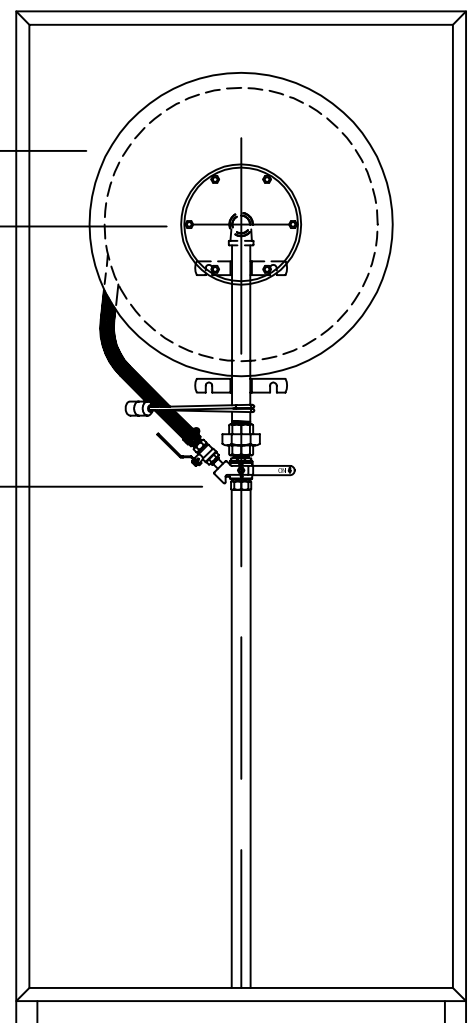
Signal red R13



RADIAL CLEARANCE
AROUND HOSE REEL
100mm. AS 2441

HOSE REEL CENTRE
1400 - 1450mm

STOP TAP HEIGHT
900 - 1100mm



* CABINET ONLY - EQUIPMENT SOLD SEPARATELY