

CABINET: HOSE REEL WALL MOUNT

DOUBLE DOOR

PRODUCT CODE

CHR850

MATERIAL

20# Zinc seal

INSTALLATION

Bolt through back to wall
Base of Cabinet to
Floor Level - 895mm
To allow 1400 c/c. of hose reel

DIMENSIONS

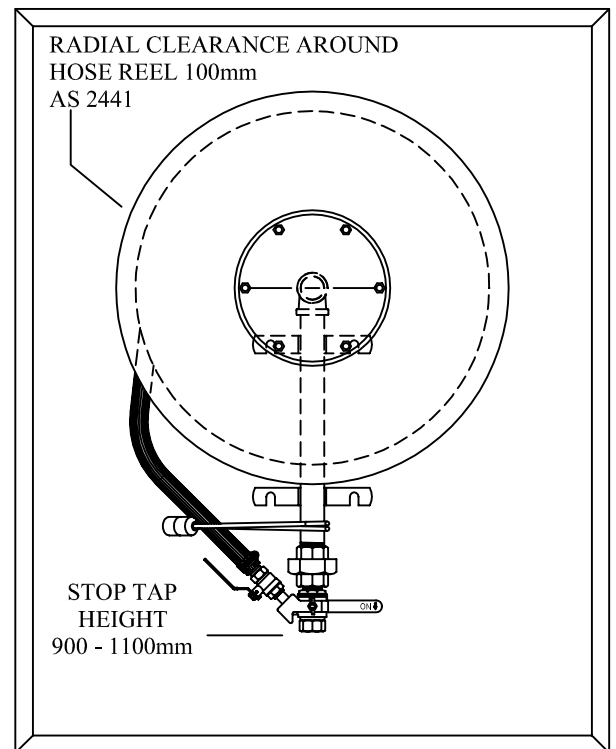
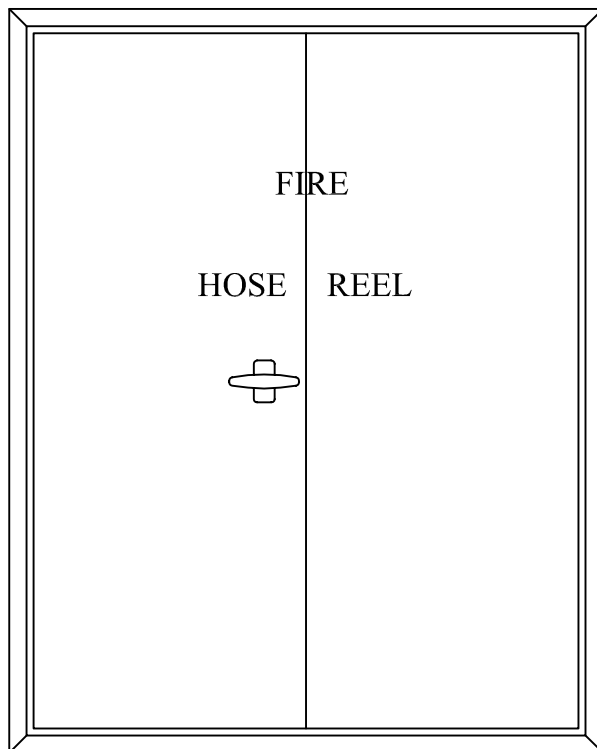
WIDTH: 850mm
HEIGHT: 1065mm
DEPTH: 310mm

OPTIONS AVAILABLE

Break glass & lock
Loose or fixed architrave

PAINT COLOUR

Signal red R13



* CABINET ONLY - EQUIPMENT SOLD SEPARATELY