

CABINET: HYDRANT DUAL ON LEGS

DOUBLE DOOR

PRODUCT CODE

CEHY900

MATERIAL

20# Zinc seal

INSTALLATION

Bolt through feet to ground
or through back to wall

DIMENSIONS

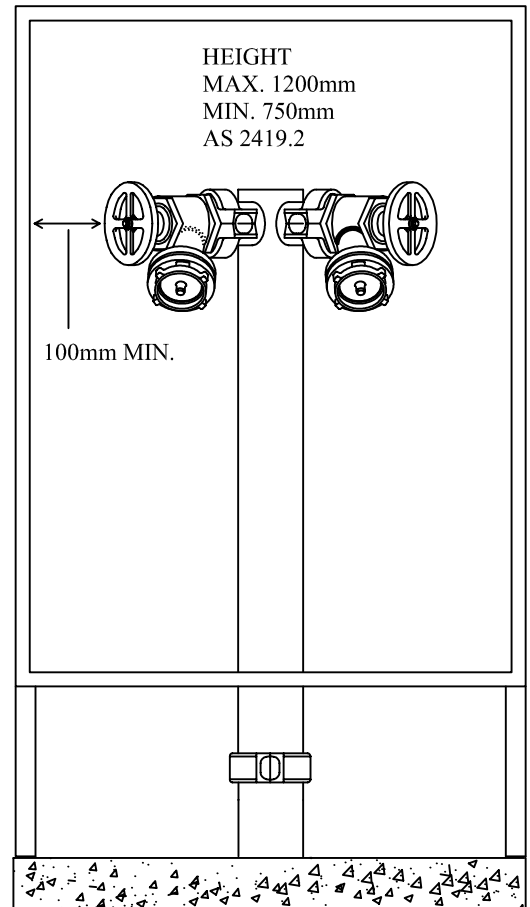
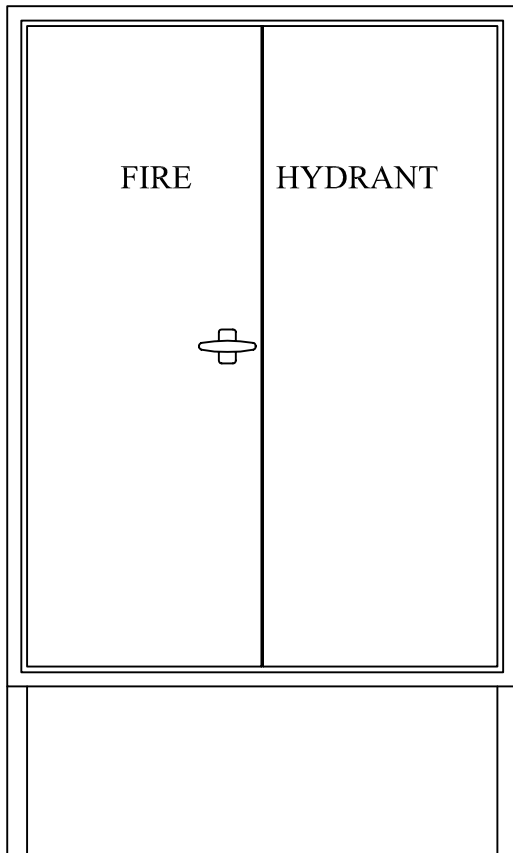
WIDTH: 900mm
HEIGHT: 1500mm (inc.300mm legs)
DEPTH: 400mm

OPTIONS AVAILABLE

Break glass & lock
Locking 003 'T' Handle

PAINT COLOUR

Signal red R13



* CABINET ONLY - EQUIPMENT SOLD SEPARATELY