

# CABINET: BOOSTER & FEED HYDRANT 150mm QUAD

**PRODUCT CODE**

CBFH150

**MATERIAL**

20# Zinc seal

**INSTALLATION**

Bolt through feet to ground  
or through back to wall

**DIMENSIONS**

WIDTH: 2300mm  
HEIGHT: 1500mm (inc.300mm legs)  
DEPTH: 700mm

**OPTIONS AVAILABLE**

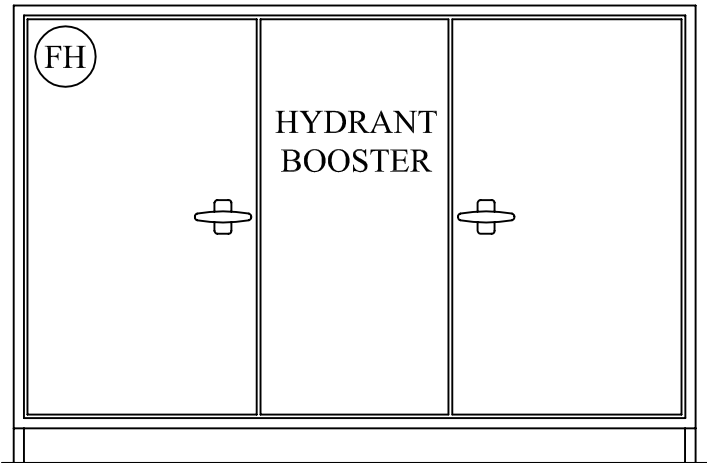
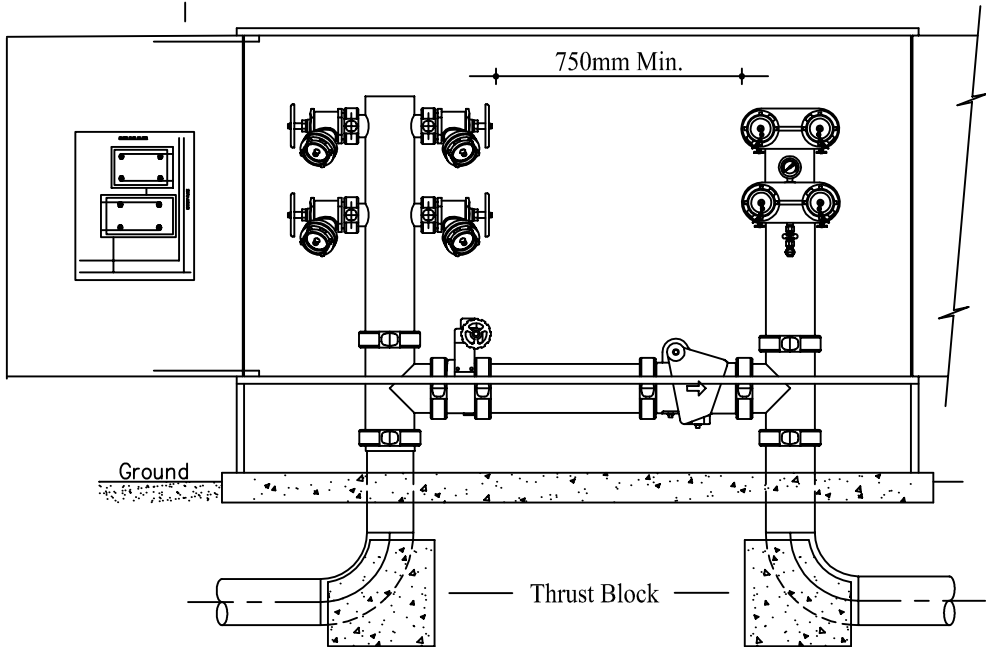
Break glass & lock  
Flush mount handle

**PAINT COLOUR**

Signal red R13

Bracket to stopdoor beyond 90°  
Block plan supplied by Contractor

NOTE: Manufactured standard with 2 doors  
& removable centre infill panel



Doors Closed

\* CABINET ONLY - EQUIPMENT SOLD SEPARATELY