

BOOSTER HEAD: 150mm QUAD

**REAR ENTRY
ROLL GROOVE**

PRODUCT CODE

BQSRG150RE - STORZ
BQCRG150RE - CFA
BQ5RG150RE - 5VT

MATERIAL

BODY: Ductile Iron
COATING: Fusion Bonded Epoxy

INSTALLATION

HEIGHT: 750 - 1200mm
to centre of inlets
CLEARANCE: 225mm (min.)
from centre of inlets

BRIGADE CONNECTIONS

All Australian Fire
Authorities Available

APPROVALS

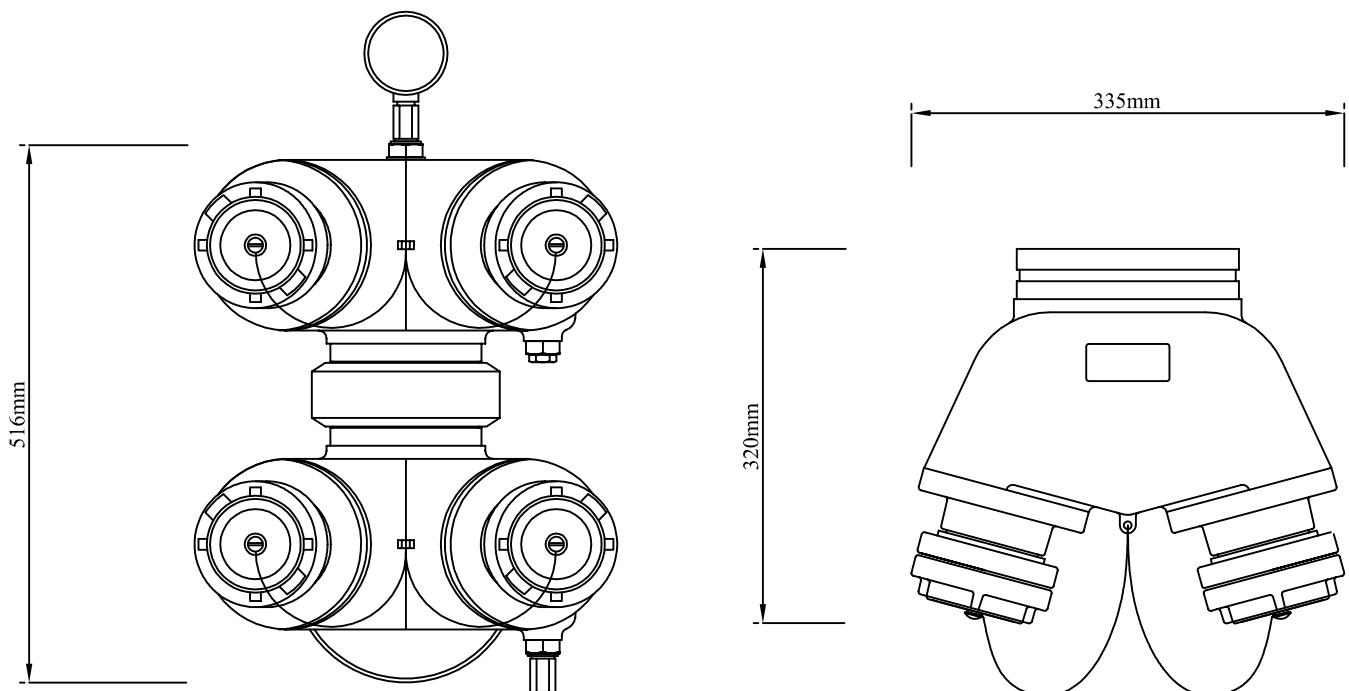
BOOSTER: AS 2419.3 (APPROVED)
DUCTILE IRON: AS 1831
COATING: AS/NZS 4158.1

PAINT COLOUR

Signal Red R13

OPTIONS

All Australian Fire
Authorities Available
Material: Gunmetal



STORZ
CONNECTION

STORZ - 516H x 335W x 320D
CFA - 516H x 330W x 315D
5VT - 516H x 330W x 315D