

# BOOSTER HEAD: 150mm QUAD

**BOTTOM ENTRY  
ROLL GROOVE**

## PRODUCT CODE

BQSRG150BE - STORZ  
BQCRG150BE - CFA  
BQ5RG150BE - 5VT

## MATERIAL

BODY: Ductile Iron  
COATING: Fusion Bonded Epoxy

## INSTALLATION

HEIGHT: 750 - 1200mm  
to centre of inlets  
CLEARANCE: 225mm (min.)  
from centre of inlets

## BRIGADE CONNECTIONS

All Australian Fire  
Authorities Available

## APPROVALS

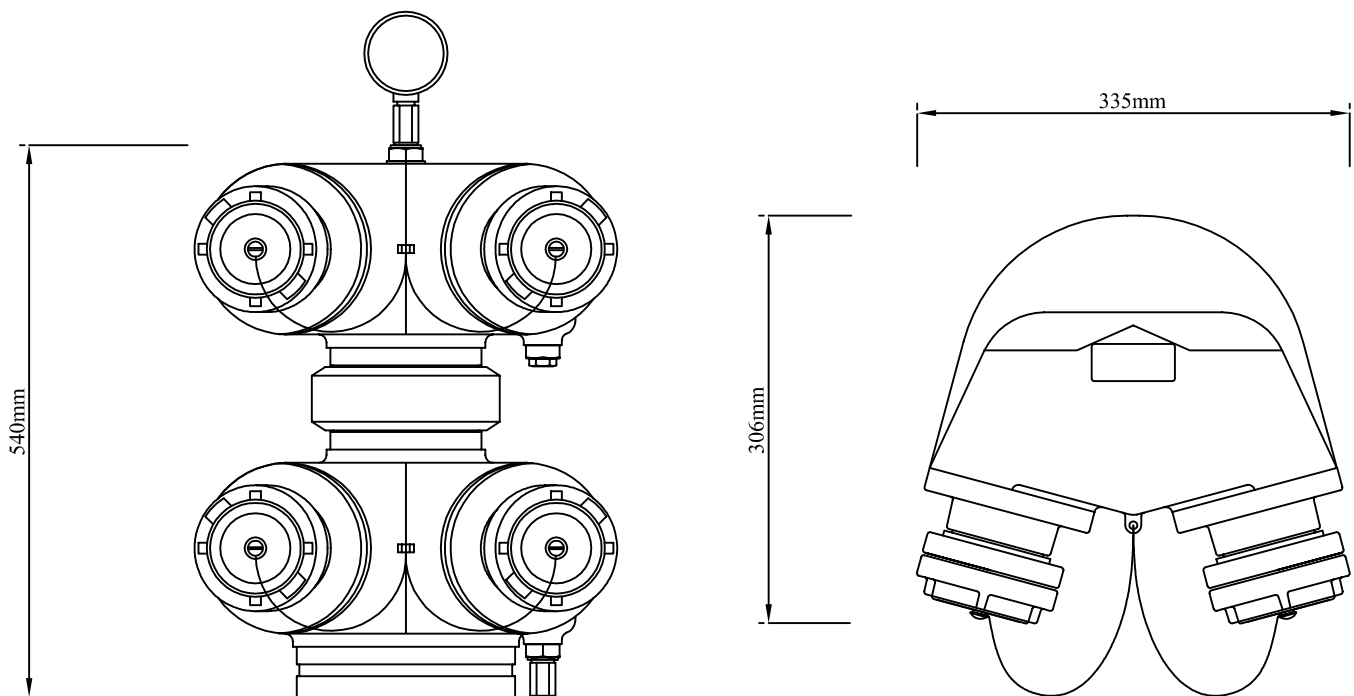
BOOSTER: AS 2419.3 (APPROVED)  
DUCTILE IRON: AS 1831  
COATING: AS/NZS 4158.1

## PAINT COLOUR

Signal Red R13

## OPTIONS

Flange Adaptor  
Class 21



**STORZ  
CONNECTION**

STORZ - 540H x 335W x 306D  
CFA - 540H x 330W x 306D  
5VT - 540H x 330W x 306D