

# BOOSTER HEAD: 100mm DUAL

**REAR ENTRY  
ROLL GROOVE**

## PRODUCT CODE

BDSRG100RE - STORZ  
BDCRG100RE - CFA  
BD5RG100RE - 5VT

## MATERIAL

BODY: Ductile Iron  
COATING: Fusion Bonded Epoxy

## INSTALLATION

HEIGHT: 750 - 1200mm  
to centre of inlets  
CLEARANCE: 225mm (min.)  
from centre of inlets

## BRIGADE CONNECTIONS

All Australian Fire  
Authorities Available

## APPROVALS

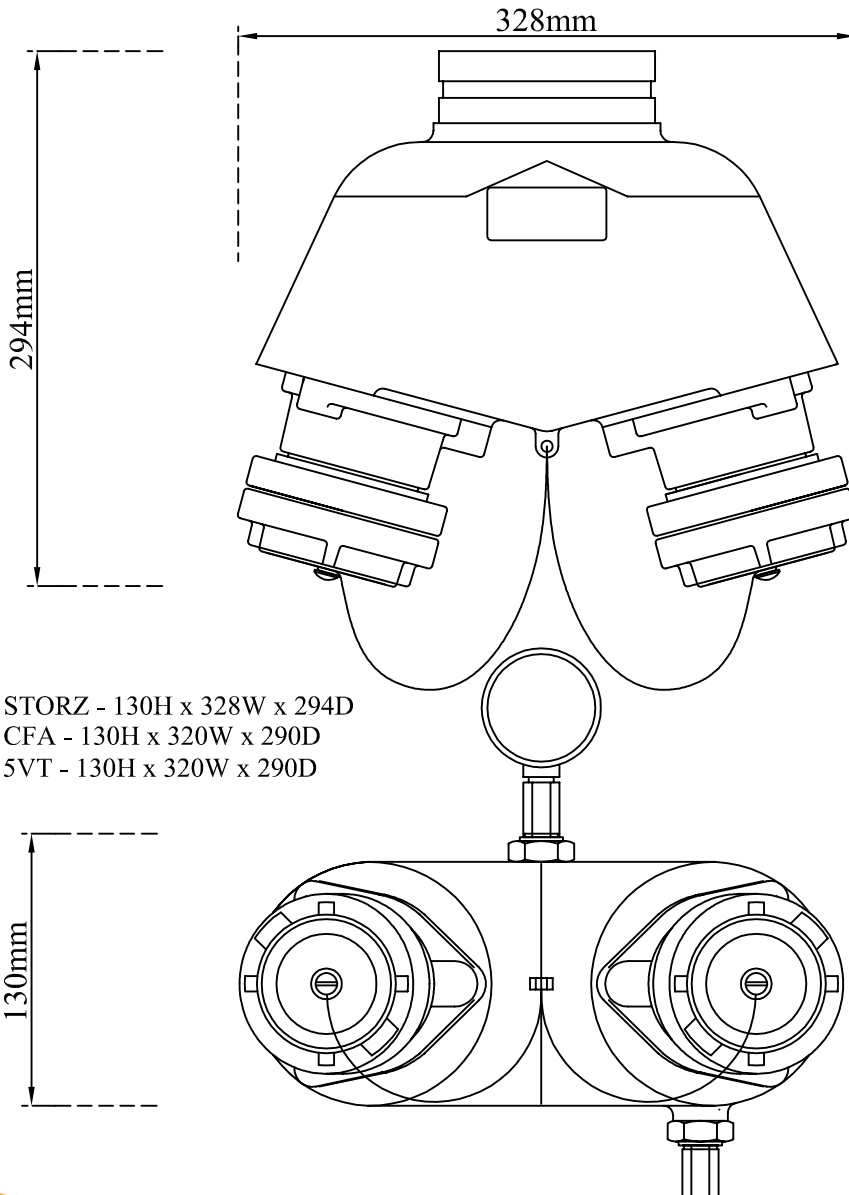
BOOSTER: AS 2419.3 (APPROVED)  
DUCTILE IRON: AS 1831  
COATING: AS/NZS 4158.1

## PAINT COLOUR

Signal Red R13

## OPTIONS

Flange Adaptor  
Class 21



STORZ - 130H x 328W x 294D  
CFA - 130H x 320W x 290D  
5VT - 130H x 320W x 290D

STORZ  
CONNECTION