

# SWING ARM BRACKET: HOSE REEL

**SWING ARM TYPE  
c/w HOSE & FITTINGS**

**PRODUCT CODE**

ASAHR

**MATERIAL**

5mm Mild steel plate

**INSTALLATION**

Bolt through bracket  
to side of recess

**OPTIONS AVAILABLE**

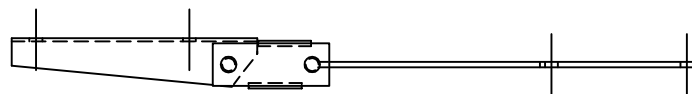
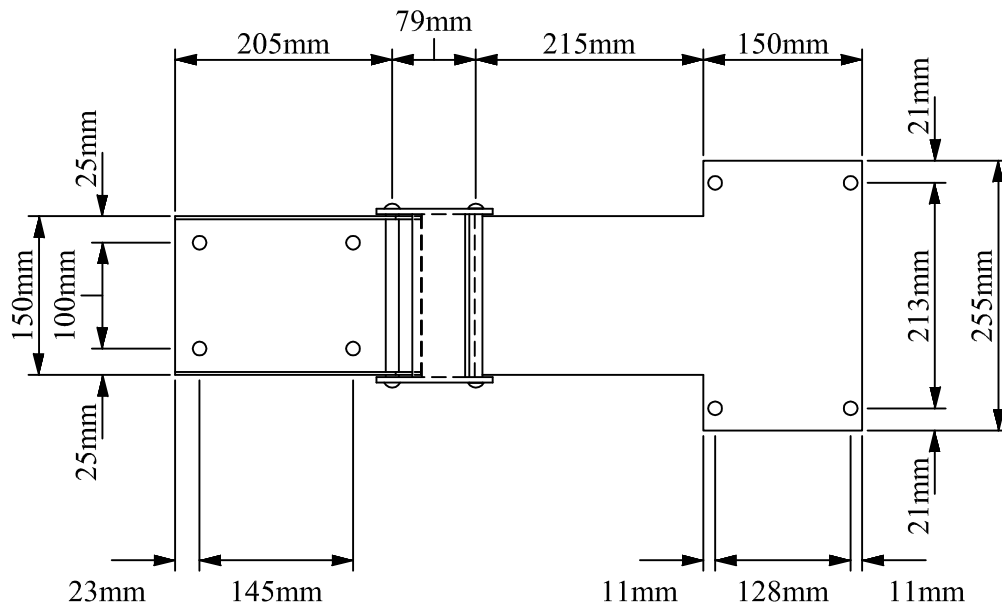
Galvanised

**ASSEMBLY**

1m x 25mm Rubber hose

**PAINT COLOUR**

Signal Red



PLAN VIEW

