

FIRE HOSE REEL

LKS Stainless Steel

PRODUCT CODE

FHRSS3619

DIMENSIONS

Diameter : 555mm

Depth : 245mm

MATERIAL

Side Plates: 316 Stainless Steel

Spacer Pins: 316 Stainless Steel

Fire Reel Hose: P.V.C. 19mm Internal Diameter

Standard Hose Length: 36metres

Nozzle: Jet/Spray Plastic

Guide Arm: Swivel. 306 Stainless Steel

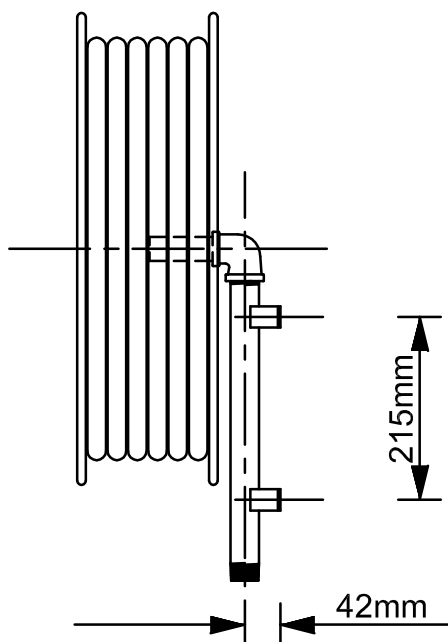
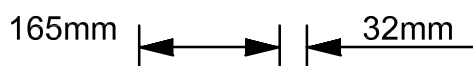
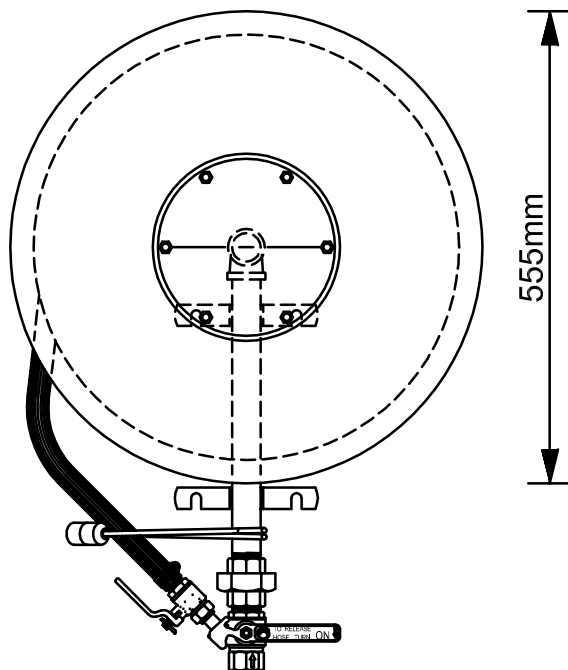
Bracket: Easi-Fit. & Inlet Pipe: Galvanised

Barrell Union: F&F. Galvanised

Spindle: Stainless Steel

Waterway: Brass - Support Plate, Stainless Steel

Isolation Valve: Brass. 25mm & Nozzle Interlock



INSTALLATION

Drum Centre: 1400 - 2400mm

Isolation Valve Centre: 900 - 1100mm

RECOMMENDATION

Mounting the Isolation Valve at a height of 1060mm will achieve the minimum Hose Reel centre height of 1500mm

If the minimum Isolation Valve height of 900mm is required, the length of the backpipe will need to be extended on site

Radial clearance of not less than 100mm must be maintained around the Hose Reel Plates and Isolating Valve